

FORM

Request for special tools
Thread whirling

Please send the completed form to Techsupport.UK@ceratizit.com!

Company:

Technical Sales Engineer:

Customer no.:

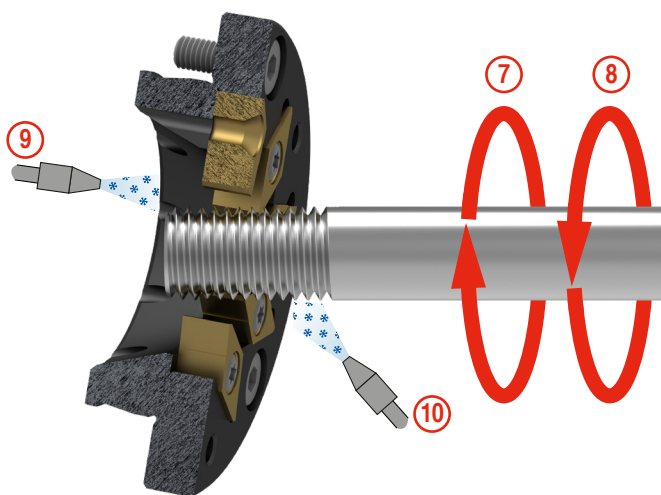
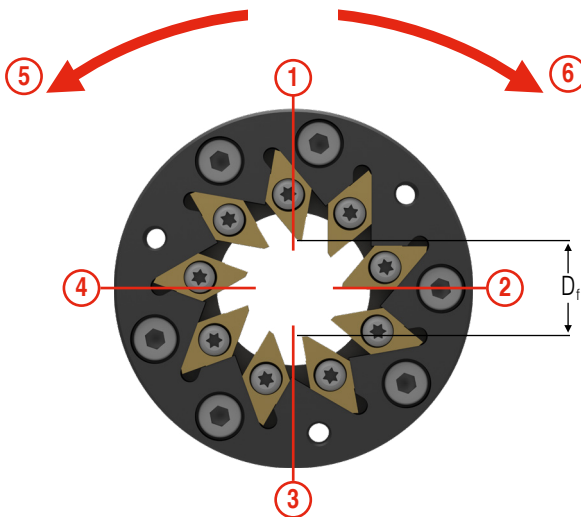
Your reference:

Department:

Contact:

Contact Tel. No.:

Contact E-Mail:



1 Material

Designation (DIN)

Bar diameter (Ø)

Bar direction of rotation 7 8

Cutting position 1 2 3 4

2 Cutting edge

Full profile

Number of threads

Coating
(only if expressly required)

3 Tool data

Tool direction of rotation 5 6

Inner cutting circle (D_i)

4 Machine data

Manufacturer

Machine type

Driven tool manufacturer

Driven tool type

Fitted on/to (e.g. turret, carriage, other)

Y axis (yes/no)

Coolant pressure (bar)

Position of coolant supply 9 10

5 Comments

i Please include a detailed drawing of the threaded part with this request form.