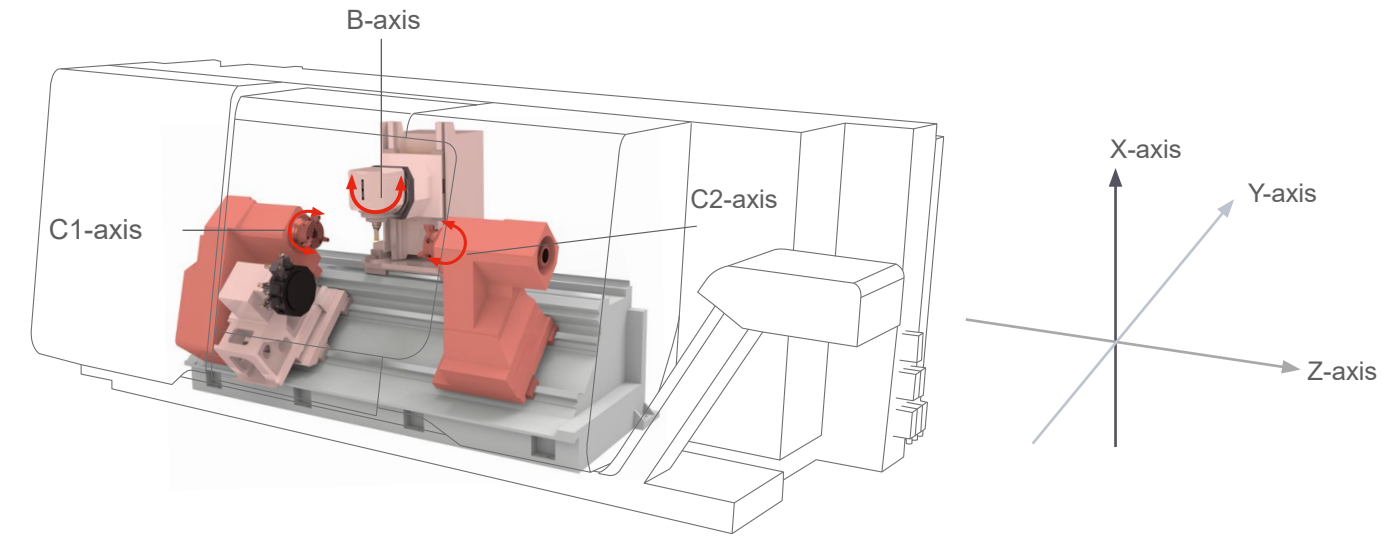


Multitask machines

Demands for maximum versatility from tool manufacturers

- ▲ Flexible standard range for different machining processes
- ▲ Powerful tools designed for multitask machining
- ▲ Customised special solutions



Application examples

| | Milling spindle | | | | Turret | | |
|--|-----------------|--------|--------|--------|--------|--------|--------|
| | X-axis | Z-axis | Y-axis | B-axis | X-axis | Z-axis | Y-axis |
| Grooving and parting off | ✓ | | ✓ | | ✓ | | ✓ |
| External turning | ✓ | ✓ | ✓ | ✓ | ✓ | ✓ | ✓ |
| Face turning | ✓ | ✓ | ✓ | ✓ | ✓ | ✓ | ✓ |
| Internal turning | ✓ | ✓ | ✓ | ✓ | ✓ | ✓ | ✓ |
| Internal diameter drilling | | ✓ | | ✓ | | ✓ | |
| Tapping | ✓ | ✓ | ✓ | ✓ | ✓ | ✓ | ✓ |
| Face thread cutting | ✓ | ✓ | ✓ | ✓ | ✓ | ✓ | ✓ |
| Screw cutting | ✓ | ✓ | ✓ | ✓ | ✓ | ✓ | ✓ |
| External diameter drilling | ✓ | ✓ | | ✓ | | | |
| External diameter milling | ✓ | ✓ | | ✓ | | | |
| Main spindle milling/bore machining | ✓ | ✓ | | ✓ | | | |
| Counter spindle milling/bore machining | ✓ | ✓ | | ✓ | | | |



Multitask machining

Powerful tool portfolio with great flexibility for machining complex components

We reserve the right to make technical changes and product improvements.

07/2023 - 94.21.00755



CERATIZIT is a high-technology engineering group specialised in cutting tools and hard material solutions.

Tooling a Sustainable Future

ceratizit.com



Multitask machining

Tool holders with DirectCooling (DC)

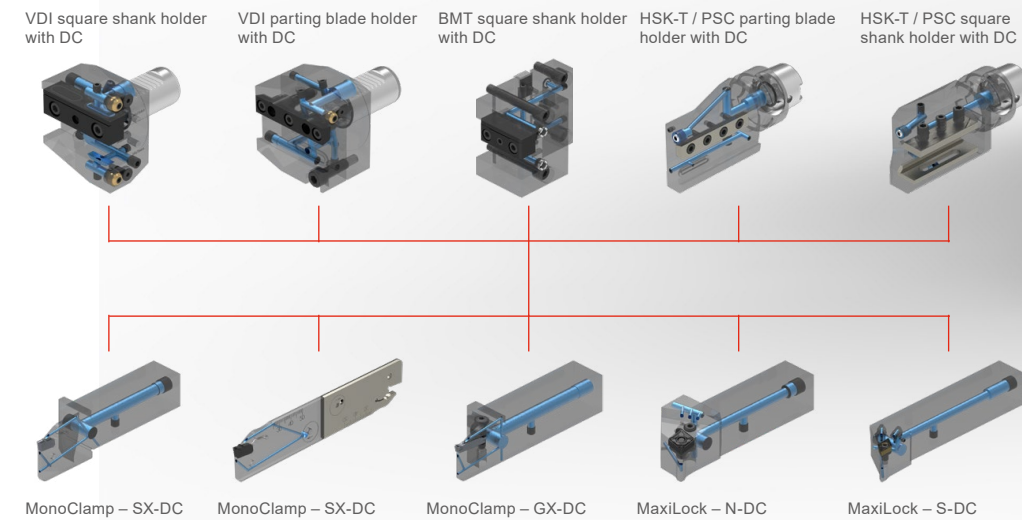
Targeted coolant application on the cutting edge

- ▲ The DirectCooling (DC) range offers accurate and targeted cooling rather than flood lubrication of the general area.
- ▲ For longer service lives and higher performance from the cutting edges.

Advantages/benefits

The lengths of all CERATIZIT DirectCooling holders are perfectly matched to one another. As a result...

- ▲ Interference contours are eliminated
- ▲ A compact complete package is created
- ▲ Optimum stability is reached
- ▲ Unlimited flexibility is achieved



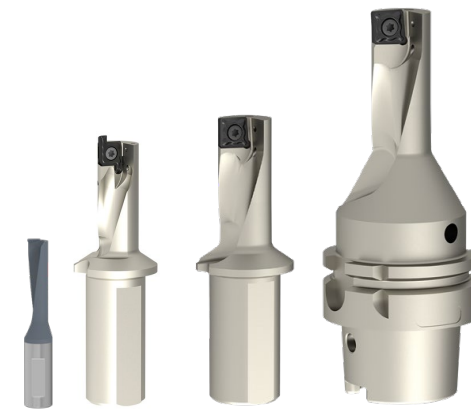
Adapter

Holder

Find out more here



cutting.tools/int/en/multitask

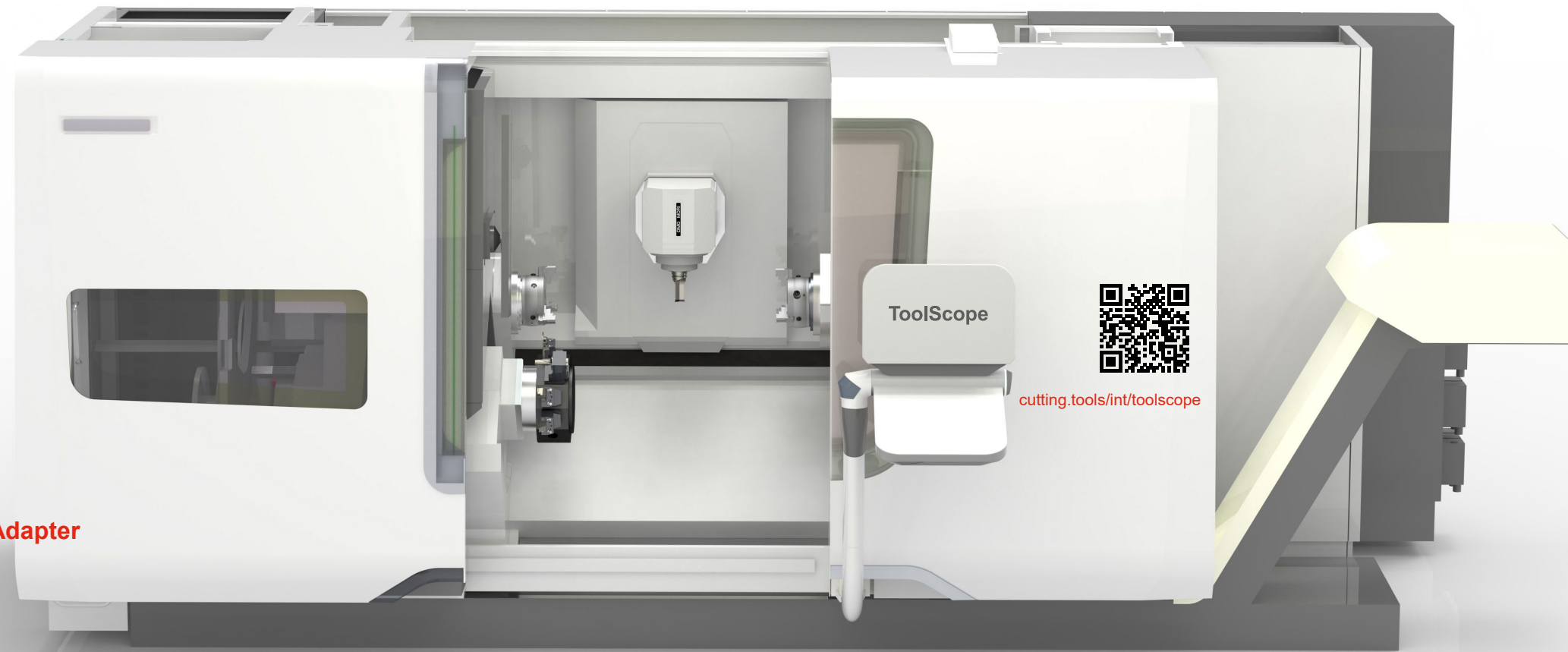


Drilling and turning with the EcoCut multifunctional tool

Reduces setup times and boosts your productivity



cutting.tools/int/en/ecocut



cutting.tools/int/toolscope

The right indexable insert for the widest range of applications

Find the right turning, drilling and grooving inserts for your machining scenario

The exact cutting insert to be used depends on the production method as well as the type and hardness of the material to be machined. To achieve good chip control and the best results, it is important that the geometry, grade, shape, size, corner radius and setting angle of the indexable insert is carefully selected.



Turning inserts

EcoCut inserts

Grooving inserts



cutting.tools/directcooling

Direct DC Cooling

- ▲ Fewer trapped chips
- ▲ Reduced wear
- ▲ Universal application

High Dynamic Turning with FreeTurn

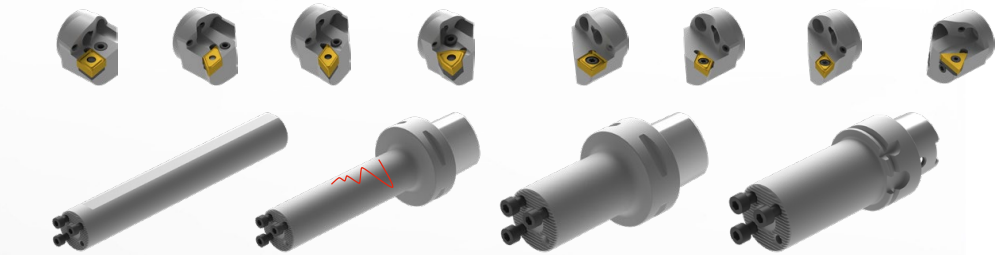
Roughing, finishing, contour turning, facing and longitudinal turning, all with just one tool



cutting.tools/int/en/freeturn

Different boring bar base holders in combination with exchangeable cutting heads

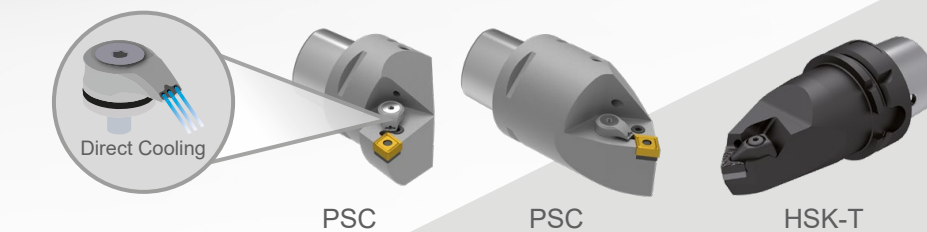
The modular cutting head system for turning is also compatible with vibration-damped boring bars.



cutting.tools/boringbar

Turning tool holder with machine interface

Choose the turning tool holders in different sizes and versions to fit your machine interface.



PSC

PSC

HSK-T

Mono turning tool holders are compact and offer a combination of precision, ease of handling and flexibility that makes them such a good choice for the turning of workpieces.

Advantages/benefits

- ▲ High basic stability
- ▲ For efficient turning
- ▲ High precision
- ▲ Easy handling
- ▲ Low space requirement
- ▲ Simple tool change



cutting.tools/int/en/stationary-adapters