

**Cooling of the cutting edge
→ suction effect!**

For virtually chip-free components

No adjustment required

100% plug & play

Find out more at:

cutting.tools/int/en/maximill-sec12

Uncompromising face milling with suction effect

MaxiMill SEC12

CERATIZIT is a high-technology engineering group specialised in cutting tools and hard material solutions.

Tooling a Sustainable Future

ceratizit.com



CERATIZIT
GROUP

A new level of...
**process security,
cost-effectiveness
and performance**
for the automotive industry



Face milling cutter with suction effect

Our PCD MaxiMill SEC12 face milling cutter is the ideal tool for machining crankcases, cylinder heads and other components made from aluminium and non-ferrous metals in the automotive industry, the interiors of which must remain chip-free. The special design of the insert seat and cutting insert topology, supported by the coolant pressure, creates a suction effect at high speeds that clears virtually 100 percent of the chips away from the workpiece.



The comparison

Conventional face milling vs. MaxiMill SEC12 with suction effect



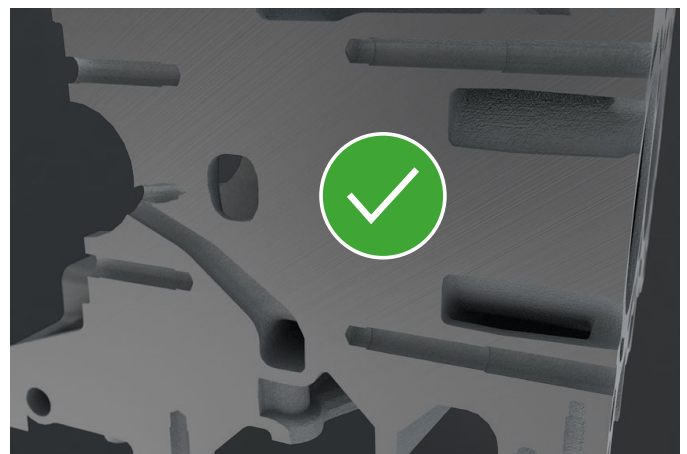
Conventional face milling

Chips are flushed into the component

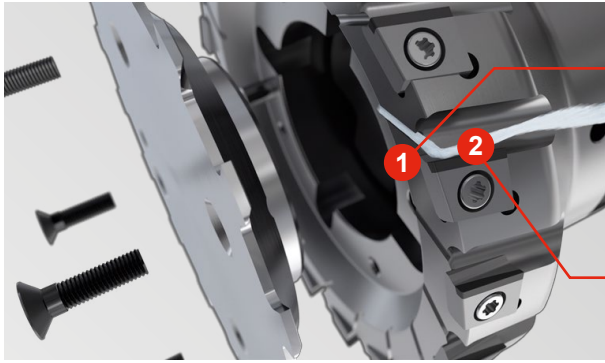
VS.

Face milling with the MaxiMill SEC12

Up to 100% chip-free components
thanks to suction effect



MaxiMill SEC12 impresses with its practical application



Cooling of the cutting edge

Coolant cap guides coolant jet directly onto the cutting edge

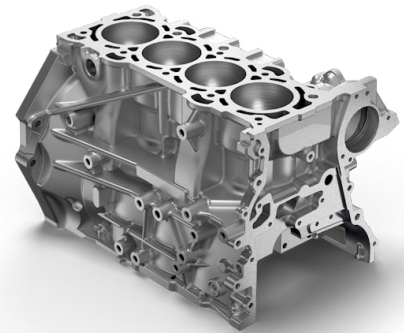
Suction effect

Cutting edge geometry, cutting edge positioning and coolant jet generate a suction effect

The most important cutting data:

- ▲ Cutting speed $V_c = 2355$ m/min
- ▲ Feed rate per tooth $f_z = 0.2$ mm
- ▲ Feed rate $V_f = 14,400$ mm/min
- ▲ Cutting depth $a_p = 5$ mm
- ▲ Cutting width $a_e = 80\%$
- ▲ Tool life of 40,000 components

→ This means that 40,000 crankcases can be machined per tool lifecycle in an impressive time, to a high quality and virtually chip-free



Benefits at a glance:

Long service life

Extremely long service life above the usual market average

Cost-effectiveness

Maximum cost-effectiveness through optimum design of the number of teeth

100% plug and play

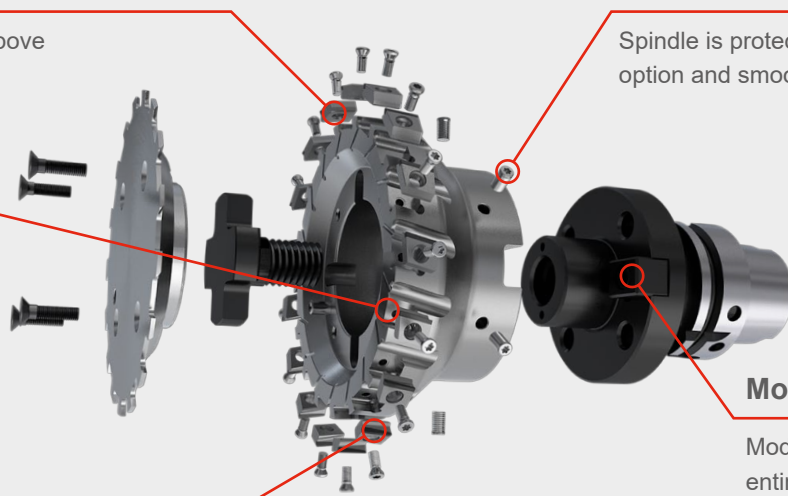
No adjustment required

Fine balancing

Spindle is protected thanks to fine balancing option and smooth cutting insert

Modular

Modular tool design made up entirely of standard products



The entire standard product range is available from stock.

<https://cutting.tools/int/en/maximill-sec12>

For more information:
Scan here!





**COMPLEX COMPONENTS.
PRECISE MACHINING.**

**JUST
OUR
THING**



EVERYTHING FOR METAL CUTTING.

**ORDER TODAY. DELIVERED TOMORROW.*
ALL STANDARD MAKE TO STOCK ITEMS.**

* Orders booked by noon for metro cities

www.just-our-thing.in



THE Cutting Tool Solution

CERATIZIT India Pvt. Ltd.
16J, Attibele Industrial Area \ Bengaluru 562 107
T: +91 80 6772 8000
E: marketing.india@ceratizit.com



Part of the Plansee Group